



AEROFast AUSTRALIA PTY LTD

ABN 23 068 361 455

All correspondence to: PO Box 2225, Logan City DC Qld 4114
 Website: www.aerofast.com.au

BRISBANE

8 Booran Drive
 Woodridge Qld 4114
 T: (07) 3299 4555
 E: sales@aerofast.com.au

GOLD COAST

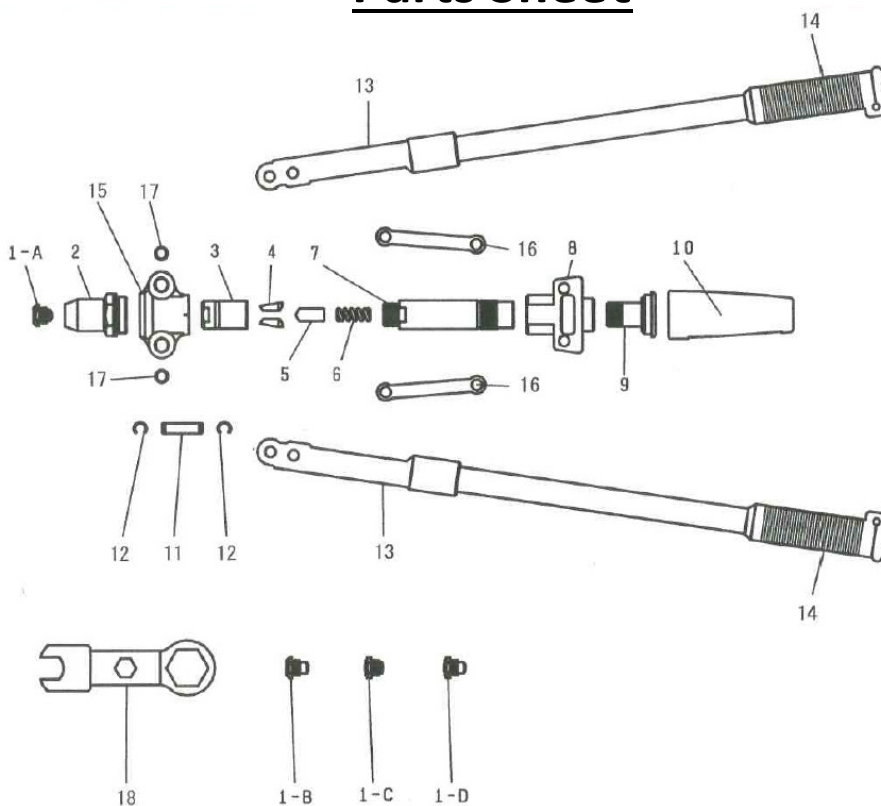
1/13 John Duncan Court
 Varsity Lakes Qld 4227
 T: (07) 5593 4550
 E: coastsales@aerofast.com.au

SUNSHINE COAST

2/34 Premier Circuit
 Warana Qld 4575
 T: (07) 5437 7737
 E: suncoastsales@aerofast.com.au

Lobster HR-2050H Hand Rivet Tool

Parts Sheet



Index	Part No.	Part Name	Index	Part No.	Part Name
1-A	10216	Nose Piece 4.8mm (3/16")	9	40220	Bracket Cap
1-B	10226	Nose Piece 6.4mm (1/4")	10	42505	Safety Cap
1-C	43751	Nose Piece L for S-Bolt 4.8mm	11	40225	Pin
1-D	43750	Nose Piece L for S-Bolt 6.4mm	12	40224	C-Type Retaining Ring
2	40222	Frame Head	13	40211	Handle
3	10223	Jaw Case Head for 4.8mm & 6.4mm	14	12319	Cushion Grip (HN010)
4	10201	Jaw (Large) for 4.8mm & 6.4mm	15	40223	Frame
5	10224	Jaw Pusher (Short) for 4.8mm & 6.4mm	16	12312	Link (HN010)
6	29711	Jaw Pusher Spring	17	12314	Collar (HN010)
7	40221	Jaw Case	18	10217	Spanner (AR011H)
8	12334	Bracket			