



# AEROFast AUSTRALIA PTY LTD

ABN 23 068 361 455

All correspondence to: PO Box 2225, Logan City DC Qld 4114  
 Website: [www.aerofast.com.au](http://www.aerofast.com.au)

## BRISBANE

8 Booran Drive  
 Woodridge Qld 4114  
 T: (07) 3299 4555  
 F: (07) 3299 4566  
 E: [sales@aerofast.com.au](mailto:sales@aerofast.com.au)

## GOLD COAST

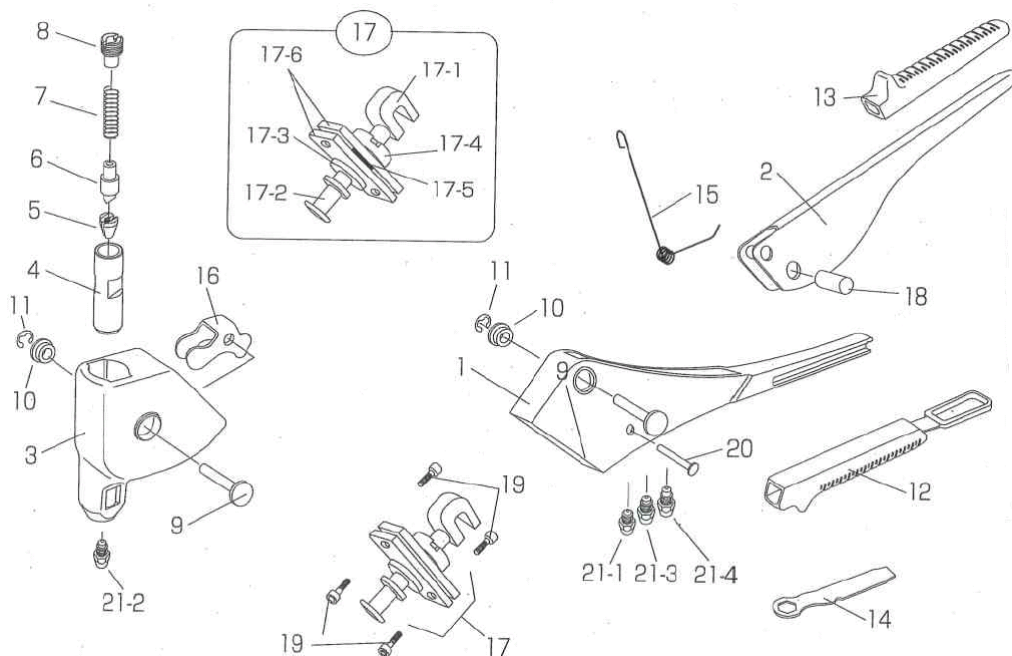
1/13 John Duncan Court  
 Varsity Lakes Qld 4227  
 T: (07) 5593 4550  
 F: (07) 5593 4549  
 E: [coastsales@aerofast.com.au](mailto:coastsales@aerofast.com.au)

## SUNSHINE COAST

2/34 Premier Circuit  
 Warana Qld 4575  
 T: (07) 5437 7737  
 F: (07) 5437 7886  
 E: [suncoastsales@aerofast.com.au](mailto:suncoastsales@aerofast.com.au)

# Lobster HR-005A Hand Rivet Tool

## Parts Sheet



Index	Part No.	Part Name	Index	Part No.	Part Name
1	42976	Frame	16	42986	Cam
2	42977	Handle	17	42987	Link Assembly
3	42978	Head Frame	17-1	42988	Hook
4	42811	Jaw Case	17-2	42989	Spindle
5	42812	Pair of Jaws (Small)	17-3	42990	Flange Collar
6	42813	Jaw Pusher	17-4	42991	Locknut
7	42814	Jaw Pusher Spring	17-5	42992	Blade Spring
8	42815	Retainer	17-6	42993	Plate
9	42979	Fulcrum Pin	18	42994	Hanger Pin
10	42980	Collar	19	42995	Hex Socket Head Cap Screws
11	42981	E-Retaining Ring	20	42996	Pin
12	42982	Frame Grip	21-1	10027	Nose-Piece 2.4mm (3/32")
13	42983	Handle Grip	21-2	10028	Nose-Piece 3.2mm (1/8")
14	42984	Spanner	21-3	10029	Nose-Piece 4.0mm (5/32")
15	42985	Handle Spring	21-4	10030	Nose-Piece 4.8mm (3/16")