



AEROFast AUSTRALIA PTY LTD

ABN 23 068 361 455

All correspondence to: PO Box 2225, Logan City DC Qld 4114
Website: www.aerofast.com.au

BRISBANE

8 Booran Drive
Woodridge Qld 4114

T: (07) 3299 4555

F: (07) 3299 4566

E: sales@aerofast.com.au

GOLD COAST

1/13 John Duncan Court
Varsity Lakes Qld 4226

T: (07) 5593 4550

F: (07) 5593 4549

E: coastsales@aerofast.com.au

SUNSHINE COAST

2/34 Premier Circuit
Warana Qld 4575

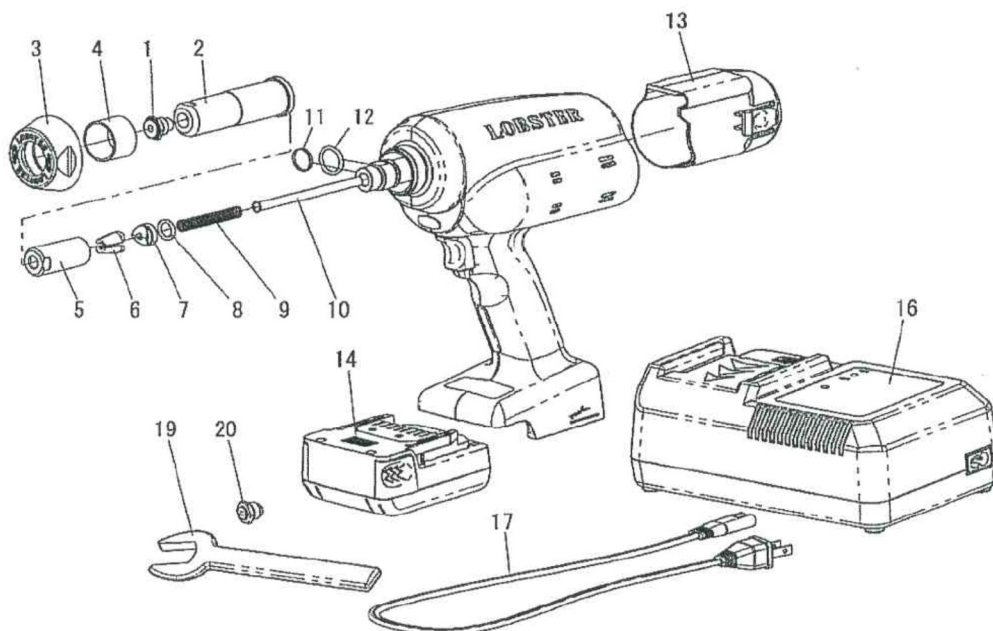
T: (07) 5437 7737

F: (07) 5437 7886

E: suncoastsales@aerofast.com.au

Lobster R1-B2 Cordless Rivet Tool

Parts Sheet



No.	Description	Part No	No.	Description	Part No.
1	Nose-Piece "H" 6.4 (1/4")	10226	10	Guide Pipe "H"	63913
2	Frame Head "H"	63916	11	O-Ring P10	10274
3	Frame Head Nut "H"	63917	12	O-Ring P16	28634
4	Frame Head Damper	62835	13	Mandrel Collector "H"	63922
5	Jaw Case Head	40456	14	Battery Pack BPL1415	-
6	Jaws (Pair)	10493	16	Battery Charger BC0075G	-
7	Jaws Pusher	40457	17	AC Power Cord	-
8	O-Ring P10A	10337	19	Spanner 21	63923
9	Jaw Pusher Spring	43812	20	Nose-Piece "H" 4.8 (3/16")	10216

Please Note: Tool warranty is void if repairs are not completed by authorised repairer.

Contact Aerofast Australia to obtain further information with regard to spare parts and repairs.