



# AEROFast AUSTRALIA PTY LTD

ABN 23 068 361 455

All correspondence to: PO Box 2225, Logan City DC Qld 4114  
 Website: [www.aerofast.com.au](http://www.aerofast.com.au)

### BRISBANE

8 Booran Drive  
 Woodridge Qld 4114

T: (07) 3299 4555

F: (07) 3299 4566

E: [sales@aerofast.com.au](mailto:sales@aerofast.com.au)

### GOLD COAST

1/13 John Duncan Court  
 Varsity Lakes Qld 4227

T: (07) 5593 4550

F: (07) 5593 4549

E: [coastsales@aerofast.com.au](mailto:coastsales@aerofast.com.au)

### SUNSHINE COAST

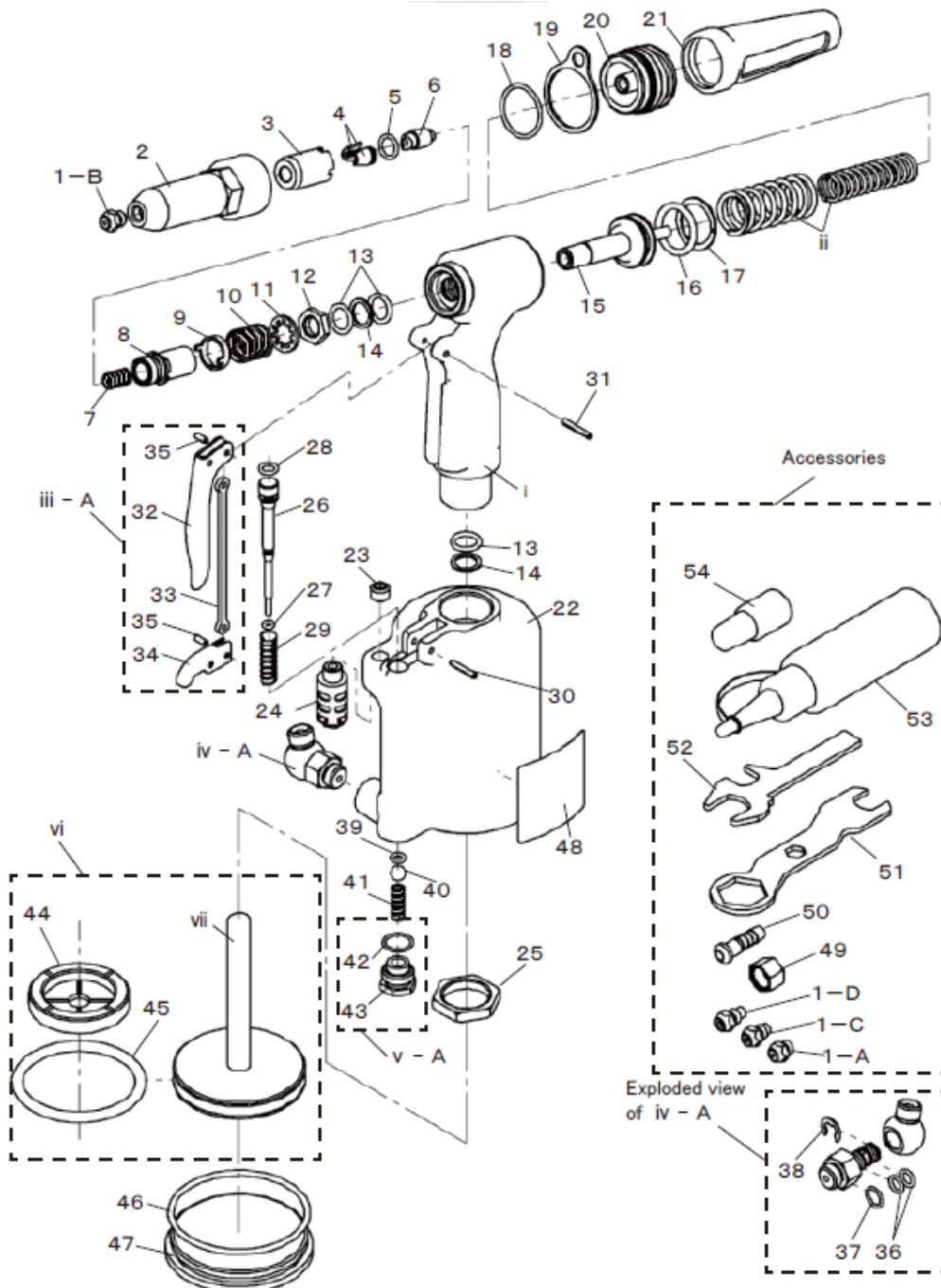
2/34 Premier Circuit  
 Warana Qld 4575

T: (07) 5437 7737

F: (07) 5437 7886

E: [suncoastsales@aerofast.com.au](mailto:suncoastsales@aerofast.com.au)

## Lobster AR-011MX Air Rivet Tool Parts Sheet



# Lobster AR-011MX Air Rivet Tool Parts Sheet

Index	Description	Part No.	Material	Index	Description	Part No.	Material
①-A	Nose-Piece 2.4mm (3/32")	10027	Steel	30	Spring Pin 3 × 18	10145	Steel
①-B	Nose-Piece 3.2mm (1/8")	10028	Steel	31	Spring Pin 3 × 20	10251	Steel
①-C	Nose-Piece 4.0mm (5/32")	10029	Steel	iii - A	Trigger (Long) Unit "M"	20510	Steel
①-D	Nose-Piece 4.8mm (3/16")	10030	Steel	32	Trigger (Long)	13121	Steel
2	Frame Head	10105	Steel	33	Trigger Connector Rod	10120	Steel
③	Jaw Case Head	10280	Steel	34	Trigger Lever	10119	Steel
④	Ultra Jaws (pair) 'M'	10281	Steel	35	Spring Pin 3 x 7.2	23595	Steel
⑤	O-Ring P-10	10274	Rubber	iv - A	Rotary Joint Unit	42502	②
⑥	Jaw Pusher	10132	Steel	③6	O-Ring P-7	10149	Rubber
⑦	Jaw Pusher Spring	10133	Steel	37	O-Ring S-10	10151	Rubber
⑧	Jaw Case	10279	Steel	38	Retaining Ring E-7	10285	Steel
9	Jaw Case Collar	10286	Steel	③9	Valve Pusher Packing	17285	Rubber
10	Collar Spring	10287	Steel	40	Valve (Steel Ball 8.0)	10247	Steel
①1	Lock Washer	10148	Steel	41	Valve Spring	10444	Steel
12	Jaw Case Lock Nut	10113	Steel	v - A	End Plug Unit	65180	③
i	Frame Unit	65193	①	42	O-Ring S-14	10152	Rubber
①3	O-Ring P-12	10128	Rubber	43	End Plug	65178	Brass
①4	B-Ring P-12	10129	Plastic	vi	Air Piston Unit	65198	②
15	Oil Piston	10241	Steel	⑦ii	Air Piston Rod Unit	65199	④
①6	O-Ring P-22A	10130	Rubber	④4	Bumper (Rubber Cushion)	29736	Rubber
①7	B-Ring P-22A	10131	Plastic	④5	O-Ring P - 60	10134	Rubber
ii	Return Spring	66004	Steel	④6	O-Ring G - 70	10080	Rubber
18	O-Ring S-26	10153	Rubber	47	Cylinder Cap	10011	Aluminum
①9	Hanger Clip	10106	Steel	48	Warning Label	61075	⑤
20	Frame Cap A	66002	Aluminum	49	Air Hose Joint Nut 1/4	10139	Brass
①21	Safety Cap	42505	Rubber	50	Air Hose Joint 1/4	10140	Brass
22	Air Cylinder	65197	④	51	Spanner 'A'	10141	Steel
23	Plug	14359	Steel	52	Spanner 'B'	10142	Steel
①24	Silencer	14355	Plastic	⑤3	Hydraulic Oil (in a bottle)	10012	Plastic
25	Frame Lock Nut	10112	Steel	⑤4	Lubricant Oil (in a bottle)	64088	Plastic
26	Valve Pusher	65423	Steel	Option			
①27	O-Ring P-3	10333	Rubber	iii - B	Trigger (Short) Unit 'M'	10021	Steel
①28	O-Ring P-7	10149	Rubber	iv - B	Change Plug Unit	42509	⑥
29	Valve Pusher Spring	12132	Steel	v - B	Nipple Unit	65191	③

- ❖ Parts with circled Index No. are consumable parts. They should be replaced periodically.
- ❖ Index No. i (Frame Unit) includes Index No. 13 and 14 (O-Ring P-12 and B-Ring P-12).
- ❖ Index No. 22 (Air Cylinder) includes Index No. 23 (Plug).
- ❖ Unit parts materials

- |                             |                           |                   |
|-----------------------------|---------------------------|-------------------|
| ① Aluminum, Rubber, Plastic | ② Aluminum, Rubber, Steel | ③ Brass, Rubber   |
| ④ Aluminum, Steel           | ⑤ Paper, Plastic          | ⑥ Rubber, Plastic |