



AEROFast AUSTRALIA PTY LTD

ABN 23 068 361 455

All correspondence to: PO Box 2225, Logan City DC Qld 4114
 Website: www.aerofast.com.au

BRISBANE

8 Booran Drive
 Woodridge Qld 4114
 T: (07) 3299 4555
 F: (07) 3299 4566
 E: sales@aerofast.com.au

GOLD COAST

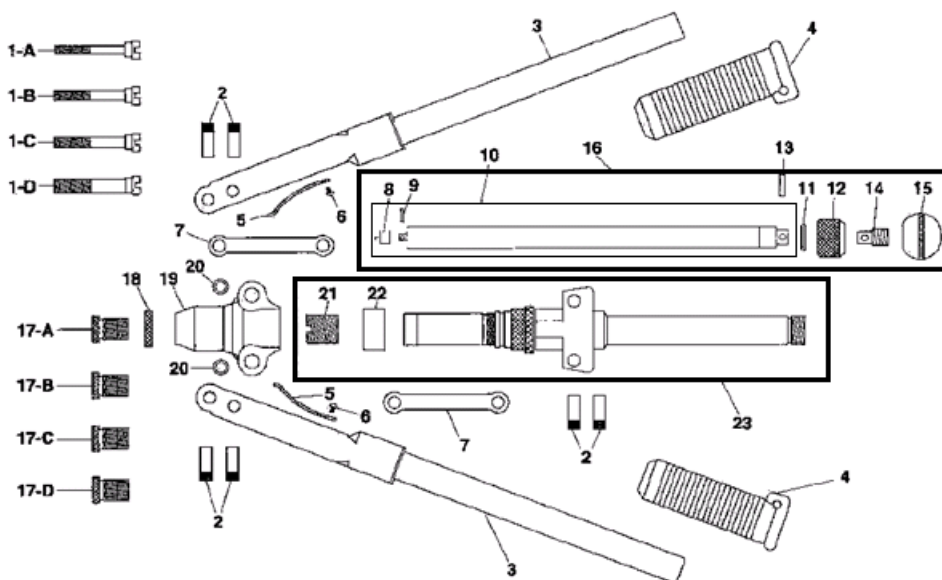
1/13 John Duncan Court
 Varsity Lakes Qld 4227
 T: (07) 5593 4550
 F: (07) 5593 4549
 E: coastsales@aerofast.com.au

SUNSHINE COAST

2/34 Premier Circuit
 Warana Qld 4575
 T: (07) 5437 7737
 F: (07) 5437 7886
 E: suncoastsales@aerofast.com.au

Lobster HN-010 Nut Rivet Tool

Parts Sheet



Index	Part No.	Part Name	Index	Part No.	Part Name
1-A	12806	Screw Mandrel M5	13	10787	Spring Pin (3 x 10)
1-B	12326	Screw Mandrel M6	14	11939	Knob Connector
1-C	12330	Screw Mandrel M8	15	11945	Knob Grip
1-D	12331	Screw Mandrel M10	16	14532	Slide Pipe Assembly
2	12313	Pin	17A	12805	Nose-Piece (Anvil) M5
3	14521	Arm Unit	17B	12320	Nose-Piece (Anvil) M6
4	12319	Cushion Grip	17C	12327	Nose-Piece (Anvil) M8
5	12316	Arm Spring	17D	12328	Nose-Piece (Anvil) M10
6	11926	Arm Spring Screw (M3 x 6)	18	14560	Nose-Piece Set Nut
7	12312	Link	19	12342	Frame Head
8	11931	Connector	20	12314	Collar
9	11932	Spring Pin (2 x 8)	21	12340	Frame Front Piece
10	14528	Slide Pipe Unit	22	12338	Set Sleeve
11	10274	O-Ring P-10	23	14529	Bracket Unit
12	11938	Frame Rear Nut	Tool factory fitted with M6 Nose-Piece & Screw Mandrel		