



AEROFast AUSTRALIA PTY LTD

ABN 23 068 361 455

All correspondence to: PO Box 2225, Logan City DC Qld 4114
 Website: www.aerofast.com.au

BRISBANE

8 Booran Drive
 Woodridge Qld 4114

T: (07) 3299 4555

F: (07) 3299 4566

E: sales@aerofast.com.au

GOLD COAST

1/13 John Duncan Court
 Varsity Lakes Qld 4227

T: (07) 5593 4550

F: (07) 5593 4549

E: coastsales@aerofast.com.au

SUNSHINE COAST

2/34 Premier Circuit
 Warana Qld 4575

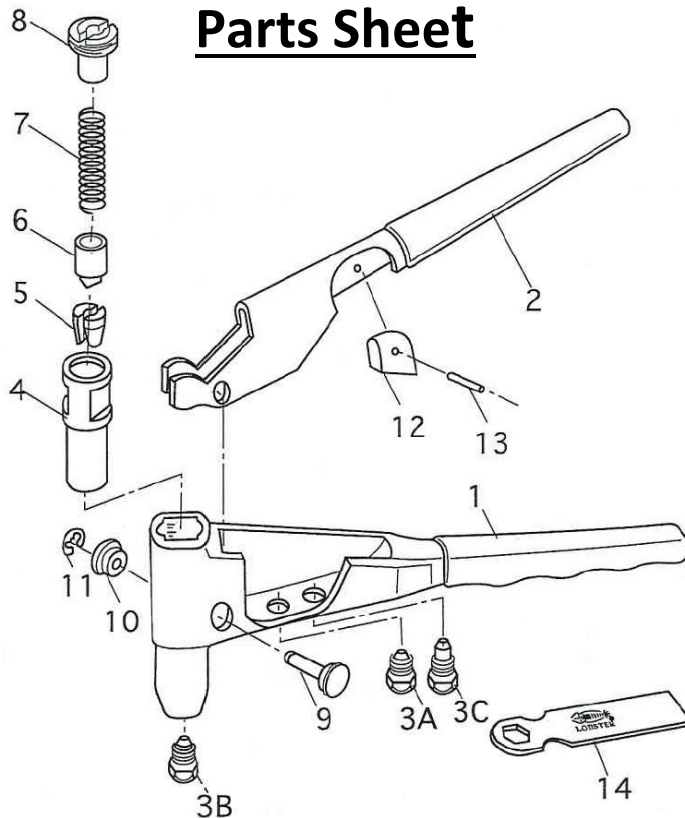
T: (07) 5437 7737

F: (07) 5437 7886

E: suncoastsales@aerofast.com.au

Lobster HR-200 Hand Rivet Tool

Parts Sheet



Index	Part No.	Part Name
1	14110	Frame (with PVC)
2	15930	Handle (without Damper)
3A	14092	Nose-Piece 2.4mm (3/32")
3B	14096	Nose-Piece 3.2mm (1/8")
3C	14100	Nose-Piece 4.0mm (5/32")
4	14071	Jaw Case
5	10032	Jaw (Small)
6	10067	Jaw Pusher
7	10068	Spring
8	14075	Retainer
9	14079	Fulcrum Pin
10	14084	Collar
11	14088	E-Retaining Ring
12	14083	Damper
13	14087	Spring Pin
14	14091	Spanner