



# AEROFast AUSTRALIA PTY LTD

ABN 23 068 361 455

All correspondence to: PO Box 2225, Logan City DC Qld 4114  
 Website: [www.aerofast.com.au](http://www.aerofast.com.au)

## BRISBANE

8 Booran Drive  
 Woodridge Qld 4114

T: (07) 3299 4555

F: (07) 3299 4566

E: [sales@aerofast.com.au](mailto:sales@aerofast.com.au)

## GOLD COAST

1/13 John Duncan Court  
 Varsity Lakes Qld 4227

T: (07) 5593 4550

F: (07) 5593 4549

E: [coastsales@aerofast.com.au](mailto:coastsales@aerofast.com.au)

## SUNSHINE COAST

2/34 Premier Circuit  
 Warana Qld 4575

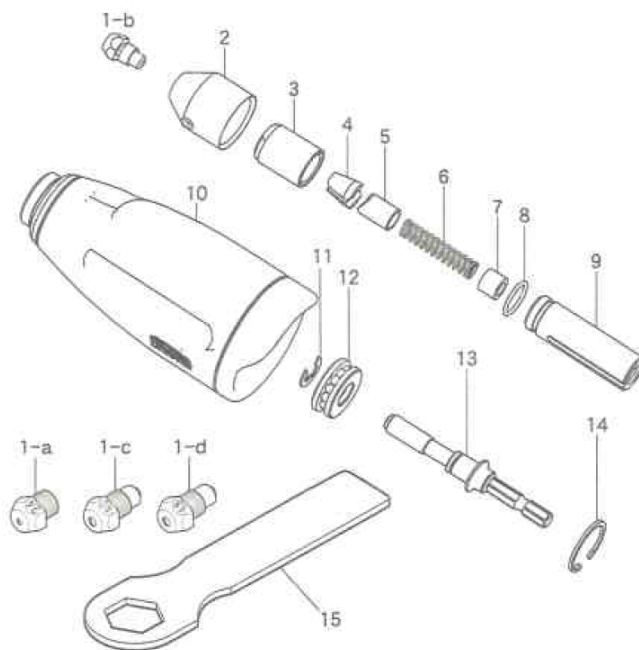
T: (07) 5437 7737

F: (07) 5437 7886

E: [suncoastsales@aerofast.com.au](mailto:suncoastsales@aerofast.com.au)

## Lobster Attachment Riveter @R03i

### Parts Sheet



Index	Part No.	Part Name
1-A	10027	Nose-Piece 2.4
1-B	10028	Nose-Piece 3.2
1-C	10029	Nose-Piece 4.0
1-D	10030	Nose-Piece 4.8
2	43960	Frame Head @R
3	43972	Jaw Case Head @R
4	10117	Jaw, Medium
5	43961	Jaw Pressure @R
6	43962	Jaw Pressure Spring @R
7	43963	JP Plate
8	43964	Jaw Case @R
9	43971	Grip Unit (Including Frame)
10	10725	E-Type Support Ring
11	43968	Bearing
12	43967	Screw Shank 1/4
13	25654	C-Type Support Ring
14	14091	Spanner