



# AEROFast AUSTRALIA PTY LTD

ABN 23 068 361 455

All correspondence to: PO Box 2225, Logan City DC Qld 4114  
 Website: [www.aerofast.com.au](http://www.aerofast.com.au)

## BRISBANE

8 Booran Drive  
 Woodridge Qld 4114  
 T: (07) 3299 4555  
 F: (07) 3299 4566  
 E: [sales@aerofast.com.au](mailto:sales@aerofast.com.au)

## GOLD COAST

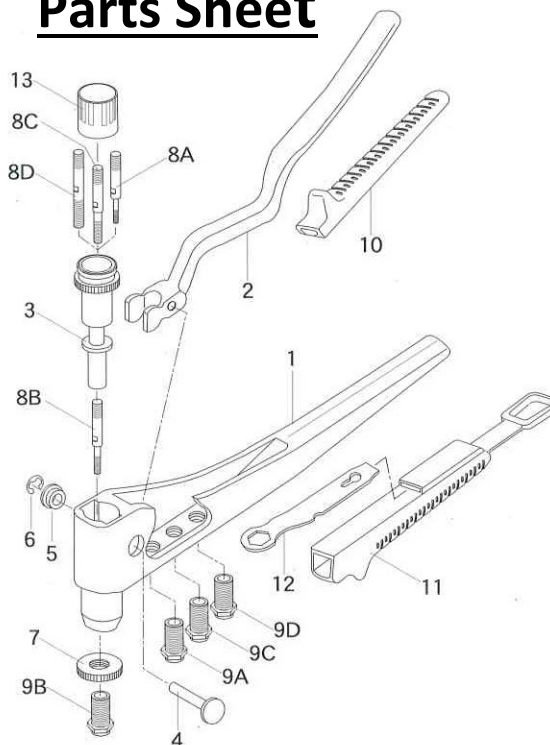
1/13 John Duncan Court  
 Varsity Lakes Qld 4227  
 T: (07) 5593 4550  
 F: (07) 5593 4549  
 E: [coastsales@aerofast.com.au](mailto:coastsales@aerofast.com.au)

## SUNSHINE COAST

2/34 Premier Circuit  
 Warana Qld 4575  
 T: (07) 5437 7737  
 F: (07) 5437 7886  
 E: [suncoastsales@aerofast.com.au](mailto:suncoastsales@aerofast.com.au)

## Lobster HND-005 Nut Rivet Tool

### Parts Sheet



Index	Part No.	Part Name
1	12966	Frame
2	12968	Handle
3	12967	Pull Off Sleeve
4	42818	Fulcrum Pin
5	42819	Collar
6	10042	Jaw Pusher
7	12979	Nose-Piece Set Nut
8A	12974	Screw Mandrel M3
8B	12975	Screw Mandrel M4
8C	12976	Screw Mandrel M5
8D	12977	Screw Mandrel M6
9A	12969	Nose-Piece M3
9B	12970	Nose-Piece M4
9C	12971	Nose-Piece M5
9D	12972	Nose-Piece M6
10	42821	Handle Grip
11	42820	Frame Grip
12	42961	Spanner
13	12978	Cap