



AEROFAST AUSTRALIA PTY LTD

ABN 23 068 361 455

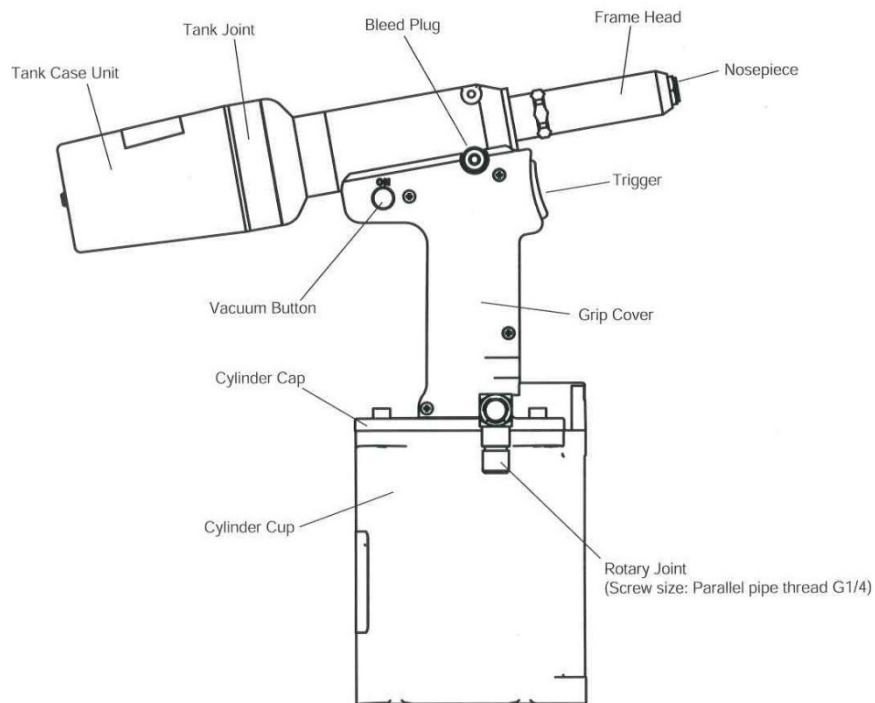
All correspondence to: PO Box 2225, Logan City DC Qld 4114
 Website: www.aerofast.com.au

BRISBANE
 8 Booran Drive
 Woodridge Qld 4114
T: (07) 3299 4555
E: sales@aerofast.com.au

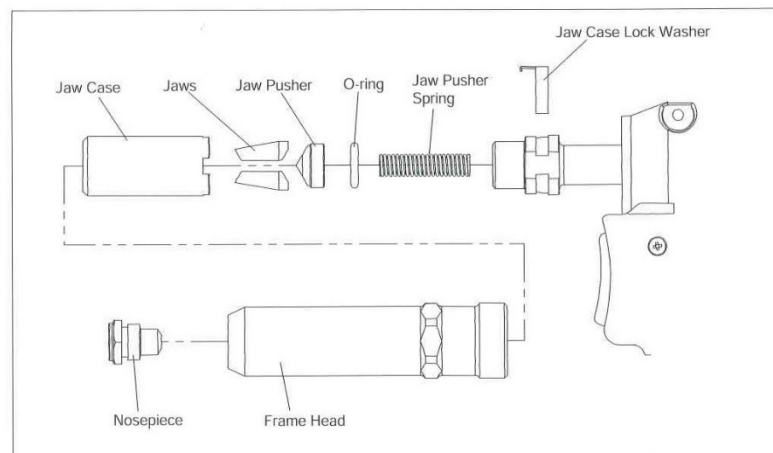
GOLD COAST
 1/13 John Duncan Court
 Varsity Lakes Qld 4227
T: (07) 5593 4550
E: coastsales@aerofast.com.au

SUNSHINE COAST
 2/34 Premier Circuit
 Warana Qld 4575
T: (07) 5437 7737
E: suncoastsales@aerofast.com.au

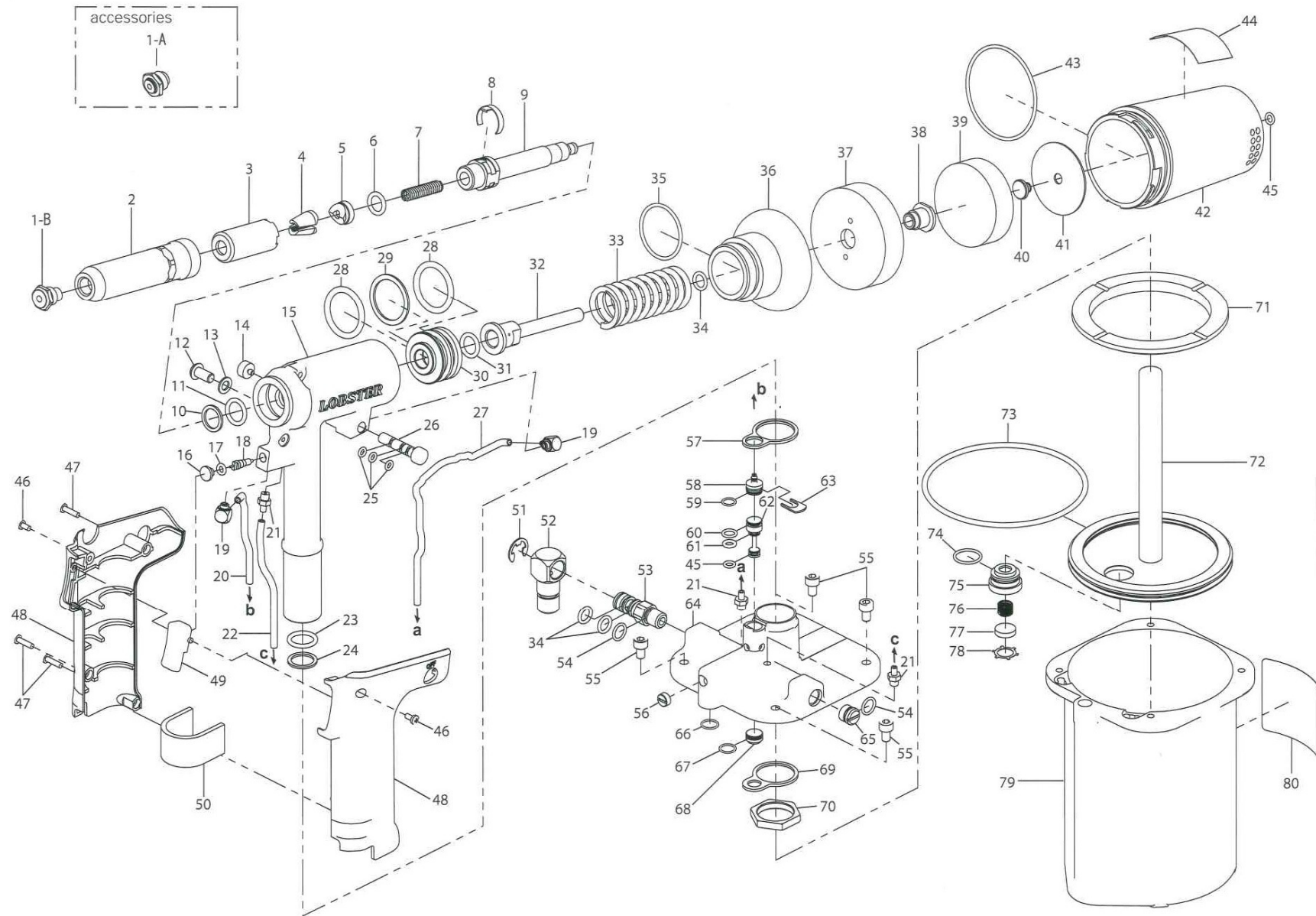
Lobster R1A2 Air Rivet Tool Parts Sheet



Frame Head Internal Parts



Lobster R1A2 Air Rivet Tool Parts Sheet



Lobster R1A2 Air Rivet Tool Parts Sheet

Index No.	Part Name	Part No.	Index No.	Part Name	Part No.
1-A	Nose-Piece 4.8mm (3/16")	10216	41	Inner Surface of Tank Case	63994
1-B	Nose-Piece 6.4mm (1/4")	10226	42	Tank Case	63972
2	Frame Head	63993	43	O-Ring S56	63995
③	Jaw Case	63990	44	Caution Label	22040
④	Ultra Jaws (Pair) 'H'	10493	45	O-Ring S5	10276
⑤	Jaw Pusher	63991	46	Cross Recessed Pan Head Screw M3x6	63250
⑥	O-Ring P10A	10337	47	Tapping Screw for Synthetic Resin M3x12	36251
⑦	Jaw Pusher Spring	63992	48	Grip Cover LR	63263
8	Jaw Case Lock Washer	63959	49	Trigger	63227
9	Oil Piston	63982	⑤0	Silencer Sponge	63968
10	B-Ring P12.5	12194	51	E-Type Retaining Ring 8	63186
11	O-Ring P12.5	12193	52	Rotary Joint	63184
12	Bleed Plug	63213	53	Spool Connector	63997
13	Sealing Washer	63209	54	O-Ring S9	63180
14	Vacuum Stop Button	63207	55	Hex Socket Head Cap Screw M5x15	63967
15	Frame	63999	56	Stop Screw Mass Production	63977
16	Switch	63204	57	Air Valve Head Retainer	63960
17	O-Ring P4	10454	58	Air Valve Head	63979
18	Valve Core	63203	59	O-Ring SS7.5	63181
19	Barb Elbow for Soft Tube	63226	60	O-Ring S7	12114
20	Urethane Tube 70	63211	61	O-Ring P5	12120
21	Barb Coupling for Soft Tube	43732	62	Air Valve	63978
22	Urethane Tube 87	63210	63	Air Valve Head Lock Plate	63961
23	Hydraulic Packing PS14	63998	64	Cylinder Cap	63976
24	B-Ring P14	10435	65	Spool Cap	63175
25	O-Ring S4	29664	66	O-Ring SS9.5	63969
26	Vacuum Stop Valve	63205	67	O-Ring SS9	63182
27	Urethane Tube 153	63212	68	Valve Cap	63177
28	O-Ring P26	12437	69	Valve Cap Retainer	63962
29	B-Ring P26	12438	70	Frame Fixing Nut	63963
30	Oil Piston Flange	64000	71	Cushion Rubber	63987
31	O-Ring P11.2 (1B)	63983	72	Air Piston Set	63986
32	Oil Piston Backward Axis	63981	73	O-Ring G95-4D	40509
33	Return Spring	63966	74	O-Ring S15	63988
34	O-Ring P8	10336	75	Exhaust Valve Case	64003
35	O-Ring S32	29727	76	Exhaust Valve Spring	64005
36	Frame Cap	63980	77	Exhaust Valve	64004
37	Tank Joint	63964	78	CR-Type Retaining Ring 16	64006
38	Vacuum Fitting	63965	79	Cylinder Cup	63973
③9	Tank Case Sponge	63996	80	Warning Label	61075
40	Screw for Inner Surface of Tank Case	63231			

- ❖ Parts with circled Index No. are consumable parts. They should be replaced periodically.
- ❖ Part No. 42 includes Part No. 44
- ❖ Part No. 79 includes Part No. 80.