



AEROFast AUSTRALIA PTY LTD

ABN 23 068 361 455

All correspondence to: PO Box 2225, Logan City DC Qld 4114

Website: www.aerofast.com.au

BRISBANE

8 Booran Drive
Woodridge Qld 4114

T: (07) 3299 4555

F: (07) 3299 4566

E:

GOLD COAST

1/13 John Duncan Court
Varsity Lakes Qld 4227

T: (07) 5593 4550

F: (07) 5593 4549

E: coastsales@aerofast.com.au

SUNSHINE COAST

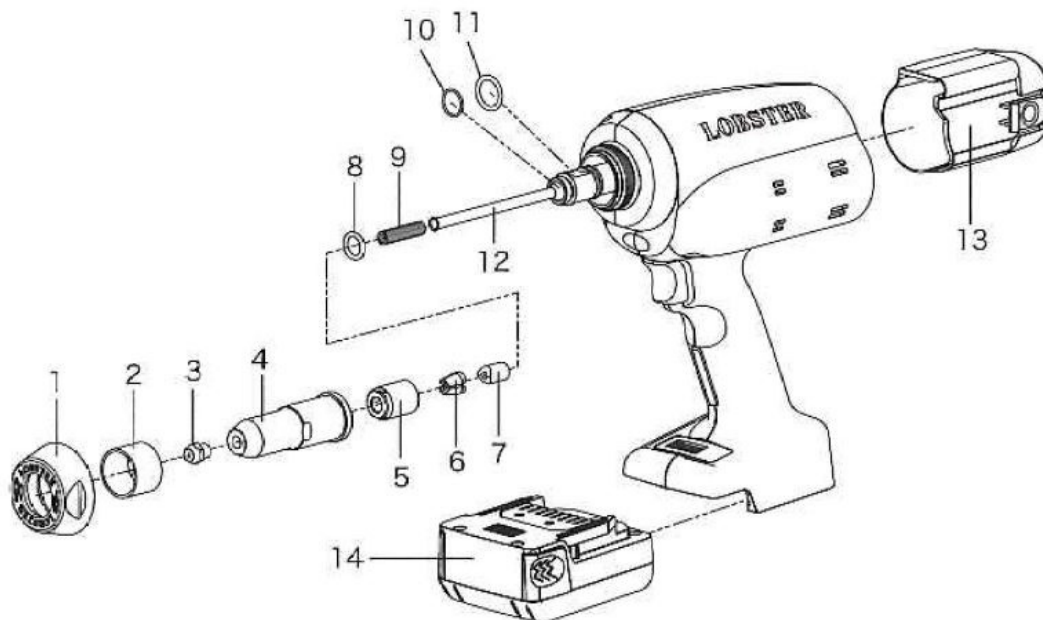
2/34 Premier Circuit
Warana Qld 4575

T: (07) 5437 7737

F: (07) 5437 7886

E: suncoastsales@aerofast.com.au

Lobster R1B1 Cordless Rivet Tool Parts Sheet



| No. | Parts Table | Part No. | No. | Parts Table | Part No. |
|-----|-----------------------|----------|-----|-------------------------------|----------|
| 1 | Frame Head Nut H | 63917 | 7 | Jaw Pusher @R | 61875 |
| 2 | Frame Head Damper | 62835 | 8 | O-Ring P-12 | 10128 |
| 3-A | Nose-Piece 2.4 | 10027 | 9 | Jaw Pusher Spring JM | 63730 |
| 3-B | Nose-Piece 3.2 | 10028 | 10 | O-Ring S-10 | 10151 |
| 3-C | Nose-Piece 4.0 | 10029 | 11 | O-Ring P-15 | 10405 |
| 3-D | Nose-Piece 4.8 | 10030 | 12 | Guide Pipe H | 63913 |
| 4 | Frame Head JM | 63727 | 13 | Mandrel Collector | 63695 |
| 5 | Jaw Case Head | 10116 | 14 | Battery Pack BPL-1415 (1.5Ah) | |
| 6 | Ultra Jaws (Pair) 'M' | 10281 | | | |