

Lobster® Tools

"You can feel the difference."



AEROFast AUSTRALIA PTY LTD

ABN 23 068 361 455

All correspondence to: PO Box 2225, Logan City DC Qld 4114

Website: www.aerofast.com.au

BRISBANE

8 Booran Drive
Woodridge Qld 4114

T: (07) 3299 4555

F: (07) 3299 4566

E: sales@aerofast.com.au

GOLD COAST

1/13 John Duncan Court
Varsity Lakes Qld 4227

T: (07) 5593 4550

F: (07) 5593 4549

E: coastsales@aerofast.com.au

SUNSHINE COAST

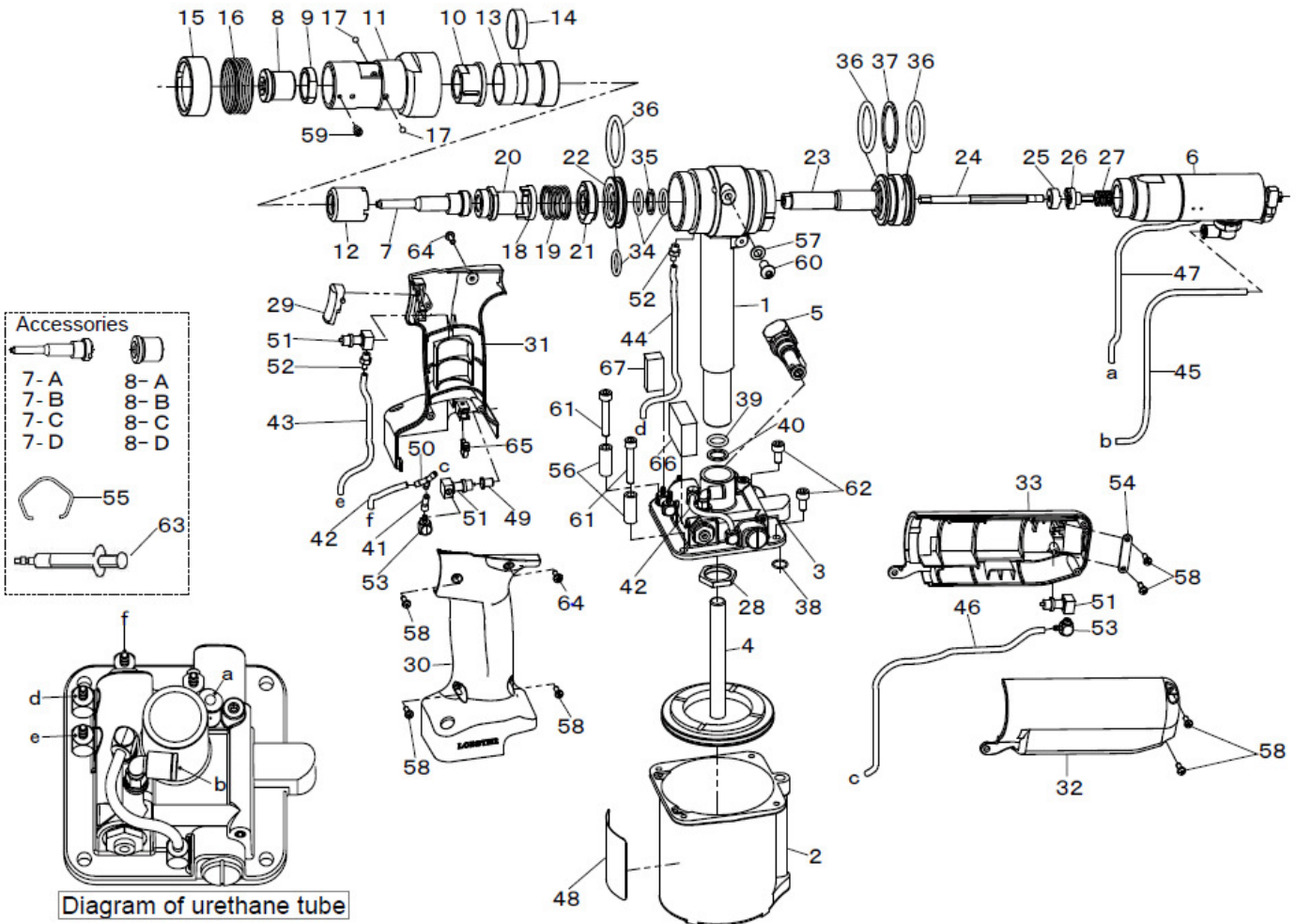
2/34 Premier Circuit
Warana Qld 4575

T: (07) 5437 7737

F: (07) 5437 7886

E: suncoastsales@aerofast.com.au

Pneumatic Nut Rivet Setter N1A2 Parts Sheet



Index No.	Part Name	Part No.	Material	Index No.	Part Name	Part No.	Material
1	Frame	64892	Aluminium	32	Air Motor Cover LH	64931	Plastic
2	Cylinder Cup	64921	Aluminium	33	Air Motor Cover RH	64916	Plastic
3	Cylinder Cap Unit	64882	①	34	O-Ring P-14	10434	Rubber
4	Air Piston Unit	64883	②	35	B-Ring P-14	10435	Plastic
5	Spool Connector Unit	64887	②	36	O-Ring P-30	14445	Rubber
6	Air Motor Unit	64886	③	37	B-Ring P-30	64963	Plastic
⑦	M6 Screw Mandrel	64936	Steel	38	O-Ring SS-10	63179	Rubber
⑦A	M4 Screw Mandrel	64934	Steel	39	O-Ring P-11	23663	Rubber
⑦B	M5 Screw Mandrel	64935	Steel	40	B-Ring P-11	40109	Plastic
⑦C	M8 Screw Mandrel	64937	Steel	41	Urethane Tube 25	64951	Plastic
⑦D	M10 Screw Mandrel	64938	Steel	42	Urethane Tube 50	64952	Plastic
8	M6 Nose-Piece	64943	Steel	43	Urethane Tube 110	64953	Plastic
8A	M4 Nose-Piece	64941	Steel	44	Urethane Tube 145	64954	Plastic
8B	M5 Nose-Piece	64942	Steel	45	Urethane Tube 200	94955	Plastic
8C	M8 Nose-Piece	64944	Steel	46	Urethane Tube 215	64956	Plastic
8D	M10 Nose-Piece	64945	Steel	47	Urethane Tube 245	94909	Plastic
9	Nose-Piece Lock Nut	64947	Steel	48	Warning Label	64910	④
10	Nose-Piece Base	64904	Steel	49	Reverse Button	64975	Aluminium
11	Frame Head	64901	Steel	50	Mini Fitting Coupling (VGY-208)	64920	Plastic
⑫	Mandrel Case	64923	Steel	51	Valve Unit	29350	Brass
13	Stroke Adjusting Dial	64902	Steel	52	Barb Coupling for Soft Tube	43732	Brass
14	Adjusting Dial Seal	64903	④	53	Barb Elbow for Soft Tube	63226	Brass
15	Stroke Adjusting Lock Sleeve	64977	Steel	54	Valve Unit Anchor Plate	64917	Steel
16	Stroke Adjusting Lock Spring	64978	Steel	55	Hanger	15468	Steel
17	Steel Ball Ø 4	12917	Steel	56	Grip Collar	64932	Aluminium
18	Stop Ring	64925	Steel	57	Sealing Washer	63209	Rubber
19	Stop Spring	64928	Steel	58	Tapping Screw for Synthetic Resin M3X8	64969	Steel
20	Lock Sleeve	64924	Steel	59	Hex Socket Bolt M3X5	43736	Steel
21	Lock Nut	64927	Steel	60	Bleed Plug	63213	Steel
22	Return Piston	64922	Aluminium	61	Hex Socket Bolt M5X30	64971	Steel
23	Oil Piston	64900	Steel	62	Hex Socket Bolt M5X10	64409	Steel
24	Conveyor Rod	64926	Steel	63	Priming Pump	29624	Plastic
25	Clutch A	64948	Steel	64	Cross Recessed Pan Head Screw M3X8	20860	Steel
26	Clutch B	64949	Steel	65	Cable Tie KB100	64919	Plastic
27	Clutch Spring	64950	Steel	66	Sponge A	66080	Plastic
28	Frame Mounting Nut	63228	Steel	67	Sponge B	66081	Plastic
29	Switch	29348	Plastic				
30	Grip Cover LH	64929	Plastic				
31	Grip Cover RH	64930	Plastic				

Parts with circled Index No. are consumable parts. They should be replaced periodically.

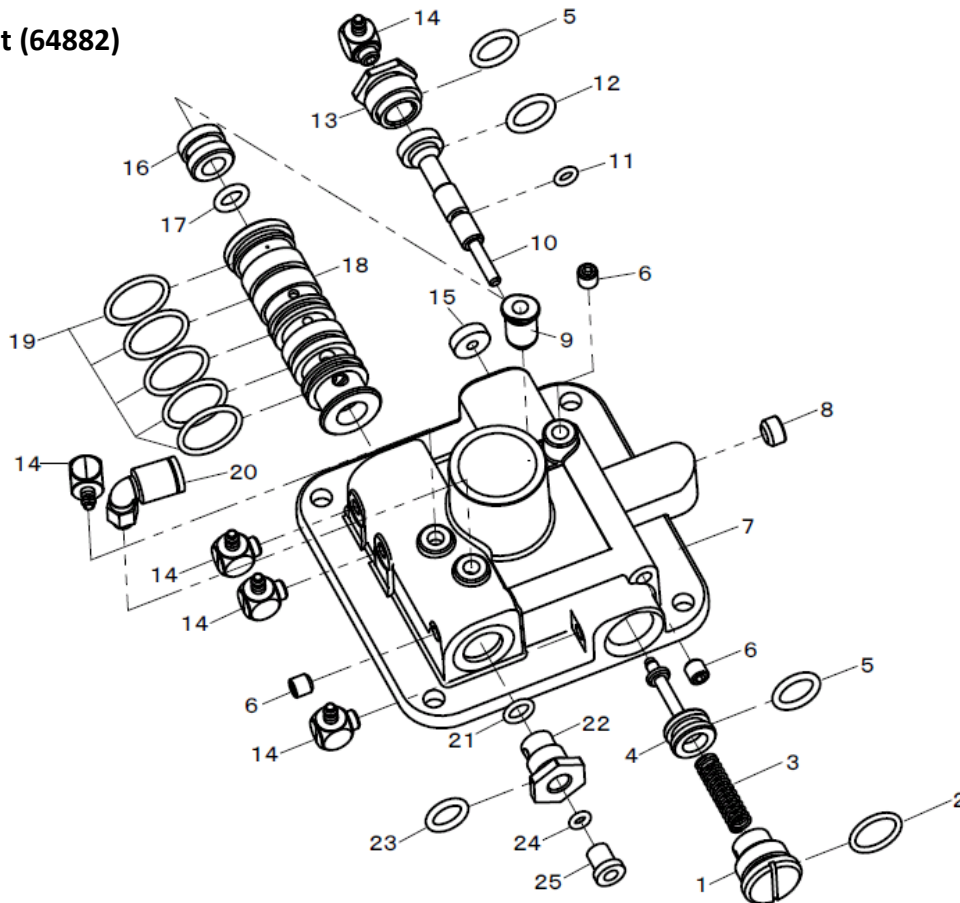
Unit Parts Materials

- ① Aluminium, Rubber
- ② Aluminium, Rubber, Steel
- ③ Aluminium, Rubber, Steel, Plastic
- ④ Paper, Plastic

Sold Separately

Part Name	Code No.
M3 Screw Mandrel	64933
M12 Screw Mandrel	64939
M3 Nose-Piece	64940
M12 Nose-Piece	64946
Hydraulic Oil in a Bottle	10012
Lubricant Oil JO-50	889

Cylinder Cap Unit (64882)



Index	Part No.	Part Name	Material
1	64895	Spool Cap	Aluminium
2	23709	O-Ring S-12	Rubber
3	64918	Spool Spring	Steel
4	40474	Spool Axis	Aluminium
5	10219	O-Ring P-9	Rubber
6	64960	Hexagon Socket Head Cap Set Screw M5 x 5	Steel
7	64894	Cylinder Cap	Aluminium
8	63245	Screw M7 x 1	Plastic
9	43738	One Touch Straight Joint	①
10	64914	Reverse Valve	Aluminium
11	29664	O-Ring S-4	Rubber
12	64905	O-Ring P-10B	Rubber
13	64915	Reverse Valve Cap A	Aluminium
14	63226	Barb Elbow for Soft Tube	Brass
15	40475	Spool Seal	Plastic
16	64913	Collar	Aluminium
17	10150	O-Ring P-6	Rubber
18	64912	Reverse Valve Sleeve	Aluminium
19	63988	O-Ring S-15	Rubber
20	64959	One Touch Joint Elbow	①
21	10220	O-Ring S-6	Rubber
22	64896	Reverse Valve Cap B	Aluminium
23	10149	O-Ring P-7	Rubber
24	64961	O-Ring S-3	Rubber
25	64897	Cap	Aluminium

Units Parts Material

① Brass, Rubber, Stainless, Plastic