



# Magnesium Air Riveter

## Ultra-lightweight !! Built with magnesium alloy

- Stroke is 16mm.
- Ultra Jaws for longer jaw life.
- Valve pusher system that is highly resistant to impact of air quality and temperature for proper operation.

Rubber safety cap

Easy operation in confined spaces without scratching applications.



Trigger

Silencer

Low noise level and environment - friendly.

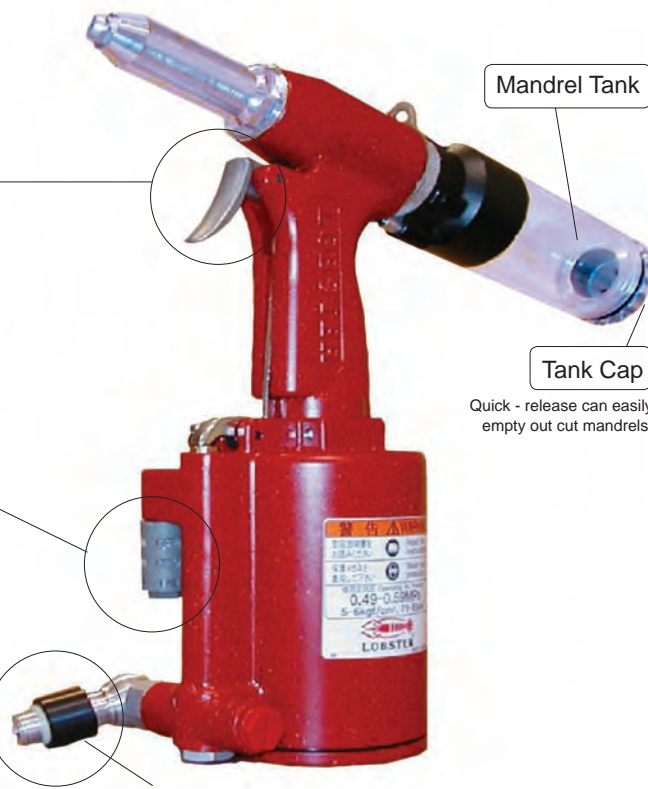
Air-intake

Either the right or left connector can be used.

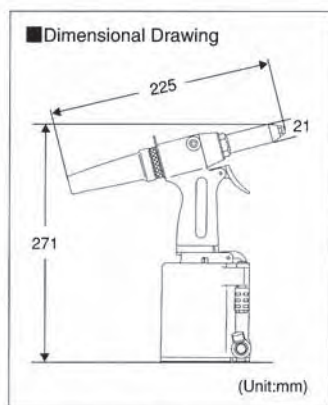
Mandrel Tank

Tank Cap

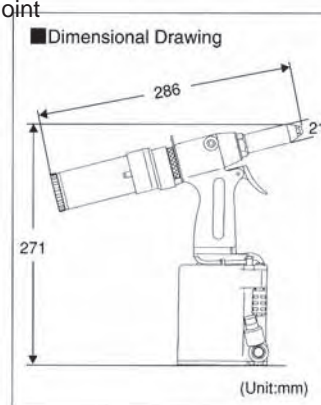
Quick - release can easily empty out cut mandrels.



Air Control Joint



AR041M	Model	ARV041M
2.4 3.2 4.0 4.8	<b>Riveting Capacity (mm)</b>	2.4 3.2 4.0 4.8
0.49~0.59 MPa (5.0~6.0 kgf/cm <sup>2</sup> )	<b>Working Air Pressure</b>	0.49~0.59 MPa (5.0~6.0 kgf/cm <sup>2</sup> )
M·Ultra	<b>Jaws</b>	M·Ultra
16	<b>Stroke (mm)</b>	16
225×271×80	<b>Tool Dimensions LxHxW (mm)</b>	286×271×80
Magnesium Alloy	<b>Material (Frame and Air Cylinder)</b>	Magnesium Alloy
1.0	<b>Weight (kg)</b>	1.2
—	<b>Integrated Vacuum System</b>	○
1.5Liter/rivet	<b>Air Consumption (Liter/rivet or Liter/min.)</b>	100Liter/min.
8000N(816kgf)	<b>Traction Power at working air pressure 0.49MPa</b>	8000N(816kgf)
○	<b>Shockless technology</b>	○
○	<b>Silencer</b>	○
○	<b>Stand vertically</b>	○
○	<b>Rotary Joint</b>	○
Right & left	<b>Air-intake</b>	Right & left



※ Long trigger is the optional part. Contact your nearest "LOBSTER" dealer or direct to us for further information.  
 ● Tool dimensions or weight in this table are standard values. Thus actual values may vary. ● Specifications are subject to change without notice.  
 ● "Riveting Capacity" is based on our "Lobster" brand blind rivets. Blind rivets made by other companies may be inapplicable.  
 ● Some parts of this air riveter are made of magnesium alloy. Magnesium alloy is excellent at recycling efficiency and can be used as the post-consumer material. We appreciate your cooperation on recycling of limited resources.

**⚠ For your safety** Be sure to read the instruction manual supplied with the product package carefully and make sure that you understand thoroughly before using the tool in this brochure.

ISO9001•ISO14001 Certified  
**LOBTEX CO.,LTD.**

International Marketing Headquarters  
 12-8 Shijo-cho, Higashi-osaka City, Osaka 579-8053 Japan  
 Phone: +81-72-981-7466 / Fax: +81-72-981-9420

For more information on Lobster Tools, visit  
[www.aerofast.com.au](http://www.aerofast.com.au) or Email us at  
[lobster@aerofast.com.au](mailto:lobster@aerofast.com.au)

Distributed throughout Australia  
 and New Zealand by:  
**Aerofast Australia P/L**



# Magnesium Air Riveter

## Ultra-lightweight !! Built with magnesium alloy

- Stroke is 16mm.
- Ultra Jaws for longer jaw life.
- Valve pusher system that is highly resistant to impact of air quality and temperature for proper operation.

Rubber safety cap

Easy operation in confined spaces without scratching applications.



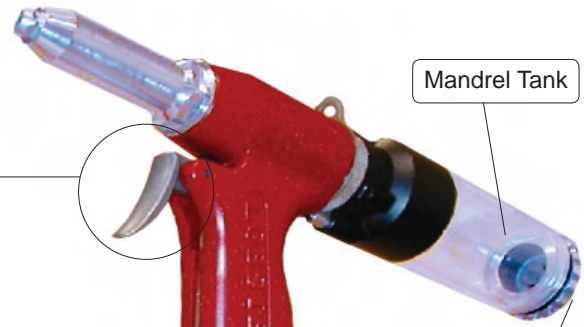
Trigger

Silencer

Low noise level and environment - friendly.

Air-intake

Either the right or left connector can be used.



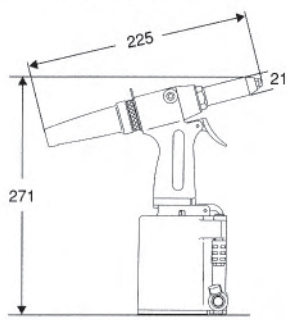
Mandrel Tank

Tank Cap

Quick - release can easily empty out cut mandrels.

Air Control Joint

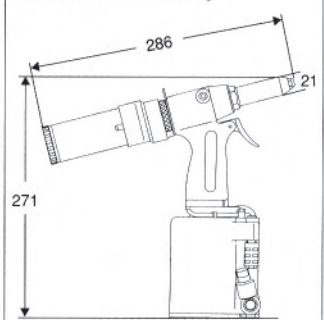
■ Dimensional Drawing



(Unit:mm)

AR041M	Model	ARV041M
2.4 3.2 4.0 4.8	<b>Riveting Capacity (mm)</b>	2.4 3.2 4.0 4.8
0.49~0.59 MPa (5.0~6.0 kgf/cm <sup>2</sup> )	<b>Working Air Pressure</b>	0.49~0.59 MPa (5.0~6.0 kgf/cm <sup>2</sup> )
M·Ultra	<b>Jaws</b>	M·Ultra
16	<b>Stroke (mm)</b>	16
225×271×80	<b>Tool Dimensions LxHxW (mm)</b>	286×271×80
Magnesium Alloy	<b>Material (Frame and Air Cylinder)</b>	Magnesium Alloy
1.0	<b>Weight (kg)</b>	1.2
—	<b>Integrated Vacuum System</b>	○
1.5Liter/rivet	<b>Air Consumption (Liter/rivet or Liter/min.)</b>	100Liter/min.
8000N(816kgf)	<b>Traction Power at working air pressure 0.49MPa</b>	8000N(816kgf)
○	<b>Shockless technology</b>	○
○	<b>Silencer</b>	○
○	<b>Stand vertically</b>	○
○	<b>Rotary Joint</b>	○
Right & left	<b>Air-intake</b>	Right & left

■ Dimensional Drawing



(Unit:mm)

※ Long trigger is the optional part. Contact your nearest "LOBSTER" dealer or direct to us for further information.

● Tool dimensions or weight in this table are standard values. Thus actual values may vary. ● Specifications are subject to change without notice.

● "Riveting Capacity" is based on our "Lobster" brand blind rivets. Blind rivets made by other companies may be inapplicable.

● Some parts of this air riveter are made of magnesium alloy. Magnesium alloy is excellent at recycling efficiency and can be used as the post-consumer material. We appreciate your cooperation on recycling of limited resources.

**For your safety**

Be sure to read the instruction manual supplied with the product package carefully and make sure that you understand thoroughly before using the tool in this brochure.

ISO9001•ISO14001 Certified

**LOBTEX CO.,LTD.**

International Marketing Headquarters  
12-8 Shijo-cho, Higashi-osaka City, Osaka 579-8053 Japan  
Phone: +81-72-981-7466/ Fax: +81-72-981-9420

For more information on Lobster Tools, visit  
[www.aerofast.com.au](http://www.aerofast.com.au) or Email us at  
[lobster@aerofast.com.au](mailto:lobster@aerofast.com.au)